

Security Escort for Independent Living

Bosch Security Systems
130 Perinton Parkway
Fairport, New York 14450
phone: 800.289.0096
fax: 585.223.9180
www.boschsecurity.us



All rights reserved.
Printed in U.S.A.
part # 47571E

Tradition of quality and innovation

For over 100 years, the Bosch name has stood for quality and reliability. Bosch Security Systems proudly offers a wide range of fire, intrusion, CCTV, management and communication systems and components to help you find the solution for any application. We are the global supplier of choice for innovative technology backed by the highest level of service and support. When you need solutions you can rely on, choose Bosch.



Personal help-call and asset tracking system

All software images in this brochure are simulations.
Please contact your Security Escort salesperson for more information.

* The term community in this brochure is defined as the protected area under the Security Escort system.

Security you can rely on.

BOSCH

Security you can rely on.

BOSCH

A Reliable Solution for an Independent Lifestyle

Independent living is a philosophy that encourages individuals of all ages to take control of their lives and maintain their involvement in a community.

Bosch Security Systems realizes the importance of peace of mind, security and convenience for those who may need a little assistance in life. Imagine your residents having the ability to call for help instantly, at the touch of a button. Security Escort can provide 24-hour assistance anytime, anywhere in your assisted living community.*

Security and Peace of Mind

The Security Escort system was designed with the needs of residents and staff in mind to ease anxieties brought on by health concerns or physical limitations. When assistance is needed, it may be difficult, painful or even impossible for a resident to get to a telephone. Security Escort is there to help through the aid of a small, convenient transmitter.

Designed with a large push button for ease of use as well as other alerting options, the personal transmitter can be worn as a wristband or a necklace, even in the shower. Once a transmitter is activated and generates an alarm, the staff is immediately notified of the resident's name, photo identification, location, and medical history in order to send necessary assistance. The Security Escort system is also equipped with several alarm features such as check-in-alert, which informs the staff of "lack of movement" in a room or designated area; exit alarm capabilities, notifying the staff if a personal transmitter has left an assigned area; and a fall-down feature that alerts the staff of a person's rapid change of positioning. Security Escort can also be integrated into most pre-existing paging or CCTV systems for fast notification and visual alarm monitoring.

Security Escort provides a highly effective synchronized security system, customized to fit your community's security needs. Give your residents the confidence they need to live comfortably.



Features and Benefits

- Programmable scheduling of "on" and "off" devices such as exit alarms
- Indoor and outdoor coverage over multiple floors, across multiple buildings and in garages and basements
- Auto-tracking resends the alarm signal every few seconds
- Fall-down detection feature will automatically notify the staff of a sudden change of position
- Check-in alert is a unique feature that informs the staff of "lack of movement" in a room or designated area during a scheduled time frame
- Exit alarm capabilities inform the staff if a personal transmitter has left the assigned area
- Built-in testing feature reduces false alarms and assures reliability
- Secure assets and valuables with the Security Escort Point Tracker System

For more information on the Security Escort system and other security products, contact your authorized Security Escort dealer.

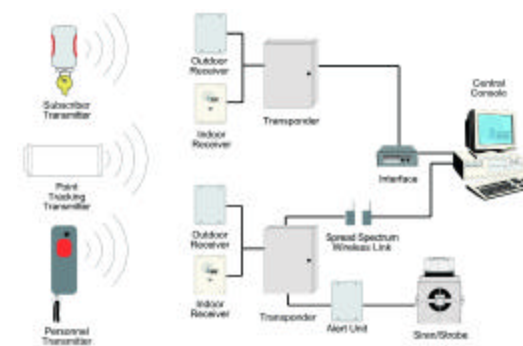


The Alarm Screen instantly identifies user and location. Upon receipt of an alarm, the console software displays a map showing the location of the signal, indicated by the red circle in the map above. During an alarm event, the user's name, photograph and personal information are displayed on the screen which can include medical history, condition, drug allergies, age, height, weight, and more. After initial activation, the system also has the capability to track the movement of the person or item. Updated every 7 seconds, smaller circles indicate past locations. The alarm screen's user-friendly interface makes it easy to manage alarms and dispatch assistance quickly.

Personal Transmitter – Instant help at the touch of a button



System Configuration Diagram



System Components

Transmitter

- Transmits alarms, tests and tracking signals
- Subscriber, Personnel and Asset transmitters available 60,000+ transmitters per system

Indoor Receiver

- Receives alarm information and relays it to transponder
- Provides local sounders and visual test confirmation
- Up to 64 per transponder

Outdoor Receiver

- Receives alarm information and relays it to transponder
- Fully weather-resistant enclosure
- Up to 64 per transponder

Central Console Software

- Controls system operation
- Includes system databases
- Displays user location and information during an alarm event

Alert Unit

- Provides alarm annunciation
- Provides test confirmation through attached siren/strobe
- Up to 64 per transponder

Transponder

- Controls receivers and alert units
- Provides communication link between receivers, alert units and central console
- Up to 255 per system