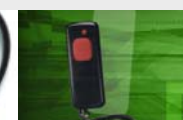


Security Escort for Correctional Facilities

Bosch Security Systems
130 Perinton Parkway
Fairport, New York 14450
phone: 800.289.0096
fax: 585.223.9180
www.boschsecurity.us



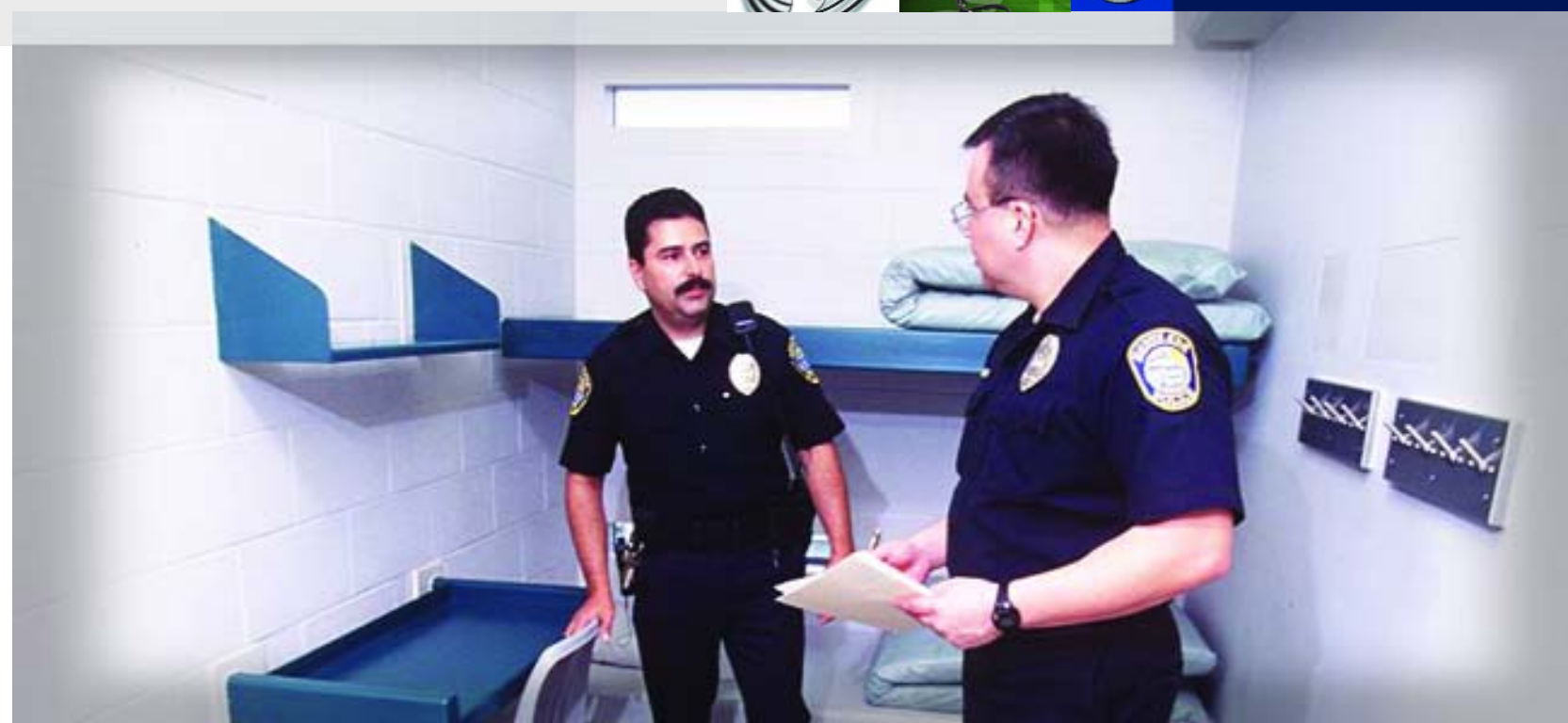
Security Systems

All rights reserved.
Printed in U.S.A.
part # 47570E

Tradition of quality and innovation

For over 100 years, the Bosch name has stood for quality and reliability. Bosch Security Systems proudly offers a wide range of fire, intrusion, CCTV, management and communication systems and components to help you find the solution for any application. We are the global supplier of choice for innovative technology backed by the highest level of service and support. When you need solutions you can rely on, choose Bosch.

All software images in this brochure are simulations.
Please contact your Security Escort salesperson for more information.



Personnel help-call and asset tracking system

Security you can rely on.

BOSCH

Security you can rely on.

BOSCH

Creating a Secure Working Environment

Prison guards put their lives on the line everyday. Now Security Escort is available to help provide security and peace of mind.

Bosch realizes the importance of protecting your most valuable assets — your employees. Imagine having a facility equipped with technology that knows where your guards are at all times, and provides them with the tools to call for help when confronted with the most dangerous of circumstances. Any time, any place on the premises, Security Escort is the answer!

The Heart and Soul of Reliability

Constant surveillance is imperative in a correctional facility. With 11 system patents, Security Escort is designed for full-system integrity that secures your employees and facility. Equipped with a variety of safety features, including automatic “man-down” alarm, guard tour, CCTV interface, auto-tracking capabilities and state-of-the-art security software, Security Escort can be customized to fit your specific security needs.

The Security Escort system is designed around a unique wireless tracking device that works in unison with its own advanced software and a central security unit. A guard or employee equipped with a personal transmitter can alert security personnel of an emergency situation at the push of a button or the pull of a lanyard.

The “man-down” feature can make the difference in a life or death situation by automatically alerting authorities when the transmitter is tipped past 60°. The system is also equipped with an automatic guard tour feature, which tracks guard positioning while continuously recording events for the security team to reference. Security Escort can be integrated into most pre-existing paging or CCTV systems for fast notification and visual alarm monitoring.

Prison guards and staff members have some of the most dangerous jobs. Security Escort is available to make their working environments as safe as possible for your employees.

Features and Benefits of the Security Escort System

- Automatic alpha/numeric paging capabilities alert multiple transmitters and provide the alarm's location
- Secure your facility's valuables with the Security Escort Point Tracker System
- Auto-tracking resends the alarm signal every few seconds
- Continuously monitor a transmitter's location with Supervision Tracking
- Indoor and outdoor coverage including elevators and underground tunnels
- Built-in test mode reduces false alarms and assures reliability
- Multiple alarm generating options including “man-down”, lanyard pull and guard tour features
- Security Escort can be integrated into most existing CCTV systems
- Variety of alarm signals available including sirens, flashing strobe lights and silent alarms

For more information on the Security Escort system and other security products, contact your authorized Security Escort dealer today.

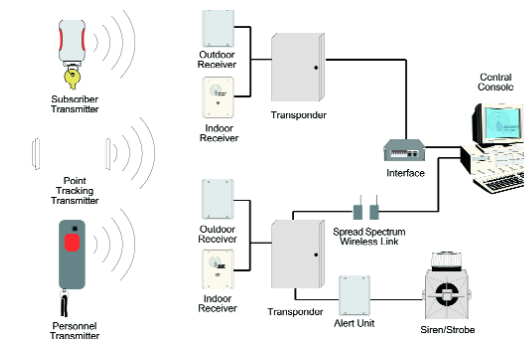


▲ The Alarm Screen instantly identifies user and location. Upon receipt of an alarm, the console software displays a map showing the location of the signal, indicated by the red circle in the map above. During an alarm event, the user's name, photograph and personal information are displayed on the screen which can include medical history, condition, drug allergies, age, height, weight, and more. After initial activation, the system also has the capability to track the movement of the person or item. Updated every 7 seconds, smaller circles indicate past locations. The alarm screen's user-friendly interface makes it easy to manage alarms and dispatch assistance quickly.

Personal Transmitter – Instant help at the touch of a button



System Configuration Diagram



System Components

Transmitter

- Transmits alarms, tests and tracking signals
- Subscriber, Personnel and Asset transmitters available
- 60,000+ transmitters per system

Indoor Receiver

- Receives alarm information and relays it to transponder
- Provides local sounders and visual test confirmation
- Up to 64 per transponder

Outdoor Receiver

- Receives alarm information and relays it to transponder
- Fully weather-resistant enclosure
- Up to 64 per transponder

Central Console Software

- Controls system operation
- Includes system databases
- Displays user location and information during an alarm event

Alert Unit

- Provides alarm annunciation
- Provides test confirmation through attached siren/strobe
- Up to 64 per transponder

Transponder

- Controls receivers and alert units
- Provides communication link between receivers, alert units and central console
- Up to 255 per system

